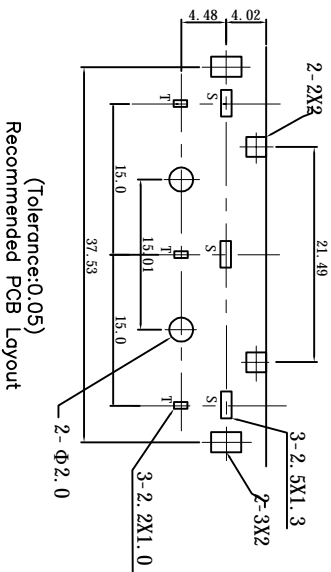
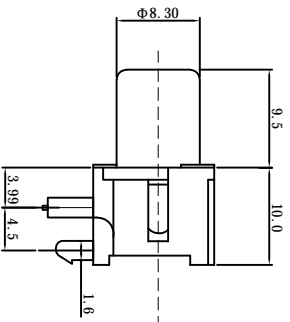
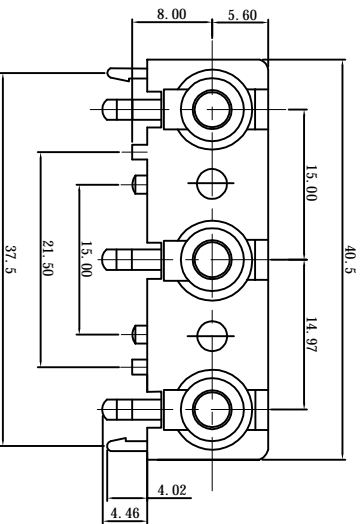
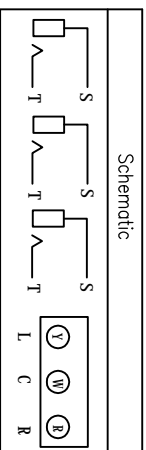


RoHS Compliant



(Tolerance:0.05)
Recommended PCB Layout



NO.	DESCRIPTION	QTY	MATERIAL	PLATING
5	SEALED PLATE	1	0.2T BRASS	Sn-Plating
4	CONTACT	3	0.5T BRASS	Sn-Plating
3	BUSHING	3	0.4T BRASS	Ni-Plating
2	WASHER	3	ABS	UL-94HB
1	HOUSING	1	ABS	UL-94HB

REV.	ECN. NO.	DESCRIPTION	DATE	APPD
X1		ORIGINAL		

EXTEND USE:

mobile phones, digital camera,
MP3, MP4, Medical diagnostic
and aerospace field

TITLE :
RCA JACK



GENERAL TOLERANCE:

LINEAR:

±0.30
±0.20
±0.10
±0.05

ANGLES:

±3°
±2°
±1°

MATERIAL

QTY:

CHKD.:

FINISHED:

APPD. :
Allen Yang

CHKD. :
Ann Xu

DR. BY. :
Jessa Lei 2013.8.28

DWG. NO. :
220RCA-306

PART NO. :
220RCA-306 -1S

SHEET: 1/1
SCALE: 1:1
A4