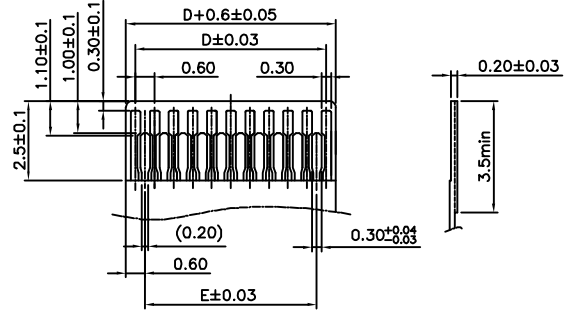
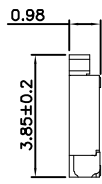
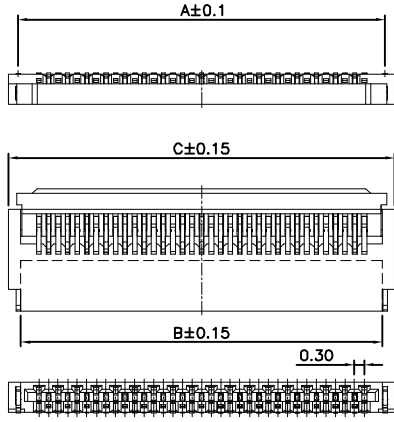
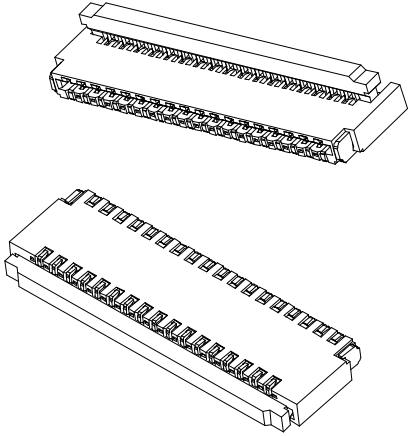


RoHS Compliant

| REV. | ECN. NO. | DESCRIPTION | DATE | APPD |
|------|----------|-------------|------|------|
| X1 | | ORIGINAL | | |
| | | | | |
| | | | | |



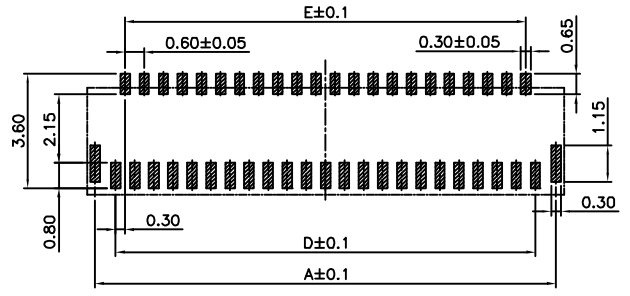
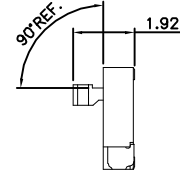
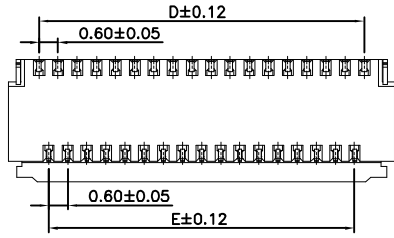
(Tolerance:0.05)
FFC/FPC Dimension T=0.3mm

| No. of CKTS | Part No. | A | B | C | D | E |
|-------------|----------------|-------|-------|-------|-------|-------|
| 09 | 0003090-090327 | 3.70 | 3.10 | 4.30 | 2.40 | 1.80 |
| 11 | 0003090-110327 | 4.30 | 3.70 | 4.90 | 3.00 | 2.40 |
| 13 | 0003090-130327 | 4.90 | 4.30 | 5.50 | 3.60 | 3.00 |
| 15 | 0003090-150327 | 5.50 | 4.90 | 6.10 | 4.20 | 3.60 |
| 17 | 0003090-170327 | 6.10 | 5.50 | 6.70 | 4.80 | 4.20 |
| 19 | 0003090-190327 | 6.70 | 6.10 | 7.30 | 5.40 | 4.80 |
| 21 | 0003090-210327 | 7.30 | 6.70 | 7.90 | 6.00 | 5.40 |
| 23 | 0003090-230327 | 7.90 | 7.30 | 8.50 | 6.60 | 6.00 |
| 25 | 0003090-250327 | 8.50 | 7.90 | 9.10 | 7.20 | 6.60 |
| 27 | 0003090-270327 | 9.10 | 8.50 | 9.70 | 7.80 | 7.20 |
| 29 | 0003090-290327 | 9.70 | 9.10 | 10.30 | 8.40 | 7.80 |
| 31 | 0003090-310327 | 10.30 | 9.70 | 10.90 | 9.00 | 8.40 |
| 33 | 0003090-330327 | 10.90 | 10.30 | 11.50 | 9.60 | 9.00 |
| 35 | 0003090-350327 | 11.50 | 10.90 | 12.10 | 10.20 | 9.60 |
| 37 | 0003090-370327 | 12.10 | 11.50 | 12.70 | 10.80 | 10.20 |
| 39 | 0003090-390327 | 12.70 | 12.10 | 13.30 | 11.40 | 10.80 |
| 41 | 0003090-410327 | 13.30 | 12.70 | 13.90 | 12.00 | 11.40 |
| 43 | 0003090-430327 | 13.90 | 13.30 | 14.50 | 12.60 | 12.00 |
| 45 | 0003090-450327 | 14.50 | 13.90 | 15.10 | 13.20 | 12.60 |
| 47 | 0003090-470327 | 15.10 | 14.50 | 15.70 | 13.80 | 13.20 |
| 49 | 0003090-490327 | 15.70 | 15.10 | 16.30 | 14.40 | 13.80 |
| 51 | 0003090-510327 | 16.30 | 15.70 | 16.90 | 15.00 | 14.40 |
| 53 | 0003090-530327 | 16.90 | 16.30 | 17.50 | 15.60 | 15.00 |
| 55 | 0003090-550327 | 17.50 | 16.90 | 18.10 | 16.20 | 15.60 |
| 57 | 0003090-570327 | 18.10 | 17.50 | 18.70 | 16.80 | 16.20 |
| 59 | 0003090-590327 | 18.70 | 18.10 | 19.30 | 17.40 | 16.80 |
| 61 | 0003090-610327 | 19.30 | 18.70 | 19.90 | 18.00 | 17.40 |
| 63 | 0003090-630327 | 19.90 | 19.30 | 20.50 | 18.60 | 18.00 |
| 65 | 0003090-650327 | 20.50 | 19.90 | 21.10 | 19.20 | 18.60 |
| 67 | 0003090-670327 | 21.10 | 20.50 | 21.70 | 19.80 | 19.20 |
| 69 | 0003090-690327 | 21.70 | 21.10 | 22.30 | 20.40 | 19.80 |
| 71 | 0003090-710327 | 22.30 | 21.70 | 22.90 | 21.00 | 20.40 |

Specifications:
 Rating:
 Current Rating:0.2 Amp
 Voltage Rating:30V AC/DC
 Operating Temperature Range:-25~+85°C
 Max Processing Temp.:260°C for 5 Seconds

Electrical:
 Contact resistance:40m Ohm Max
 Insulator resistance:500M ohm min.
 Withstanding Voltage:200V AC/Minute

Material And Finish:
 Housing:LCP UL94V-0 Natural
 Cover(ZIF):LCP UL94V-0 Natural
 Terminal:Phosphor Bronze,
 Fitting Nail:Copper Alloy With Tin Plated.
 Plating:Gold plated Over Nickel



(Tolerance:0.05)
Recommended PCB Layout

| | | | | | |
|--|---------------------------------------|-----------|---|-----------------------------------|---------------|
| EXTEND USE: mobile phones, digital camera, MP3, MP4, Medical, automotive and aerospace fields | | | TITLE : 0.30mm Pitch FPC Connector Upper Contact H:1.0mm | | |
| GENERAL TOLERANCE: | | MATERIAL | APPD. : Allen Yang | DWG. NO. : 0003090-503566-FXRH | |
| LINER: . ±0.30 .0 ±0.20 .00 ±0.10 .000 ±0.05 | ANGLES: . ±3° .0 ±2° .00 ±1° | QTY: | CHKD. : Ann Xu | PART NO. : 0003090-XX0327 | |
| | | FINISHED: | DR. BY. : Jessa Lei 2012.6.28 | SHEET: 1/1 | SCALE: 1:1 |
| | | | | | A4 |